

**BLDC PUMP**

**CRP060A**

**SPECIFICATION**



Rated Voltage	36V DC
Rated Current	1.33A $\pm$ 10%
Rated Power	48 (1 $\pm$ 10%) W
Max Flow	20L/min $\pm$ 1
Max Head	11 $\pm$ 1M
Noise	$\leq$ 45dB@1m
Lifetime	$\geq$ 10,000H

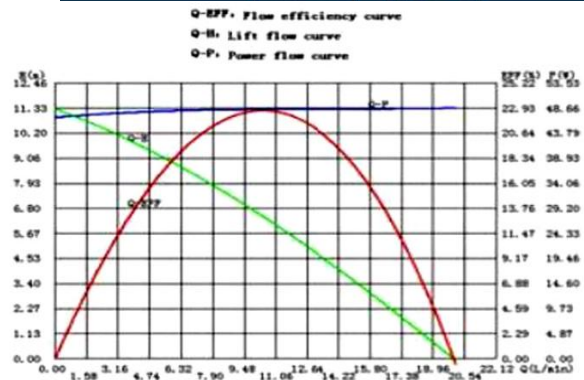
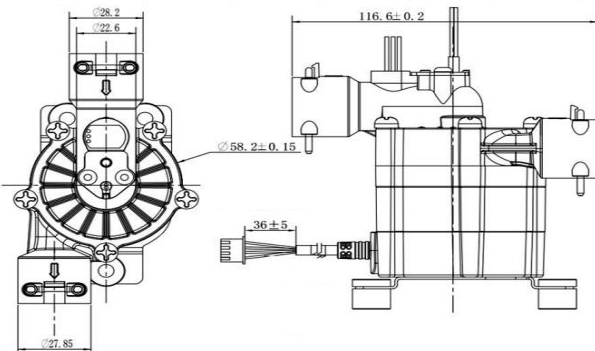
Ambient Temperature	-25~60°C
Medium Temperature	0~85°C
Ambient Humidity	Submersible
Medium	water
Waterproof Class	IP04
Insulation	H (180°C)
Weight	520g $\pm$ 15

**APPLICATION**

- Smart toilet
- Water heater
- Liquid transfer
- Electric Vehicle
- Ice Maker
- Water Dispenser
- Aquarium
- Motorcycle
- Heating system
- Computer Cooling
- LED cooling
- Gas boiler
- HVAC system
- General purpose pumping
- Boosting application
- Home circulating system



**DIMENSION & CURVE**



Visit our site for more details: [www.thermopumpfactory.com](http://www.thermopumpfactory.com)

For more further info, please mail to [richel@auto-thermo.com](mailto:richel@auto-thermo.com)



+ 86 138 5997 0585