

BLDC PUMP

EWPO20F

SPECIFICATION

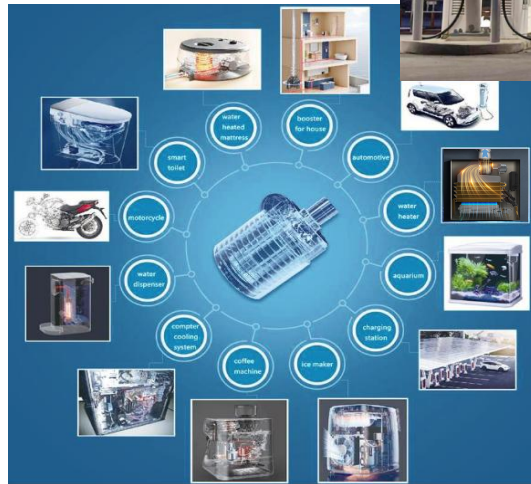


Rated Voltage	12V DC
Rated Current	1.67 (1±10%) A
Rated Power	20 (1±10%) W
Max Flow	27 (1±10%) L/min
Max Head	2.2 ± 0.3M
Noise	≅ 45dB@1m
Lifetime	≅ 20,000 H

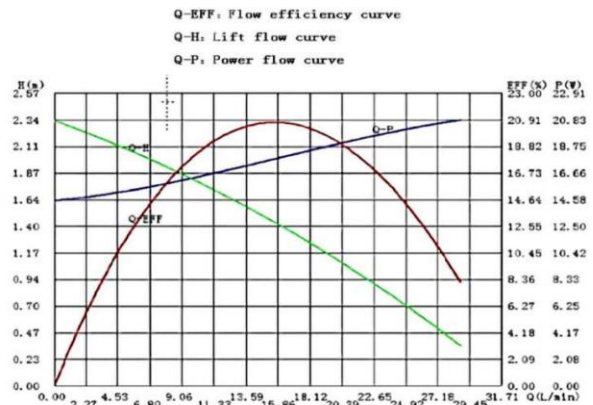
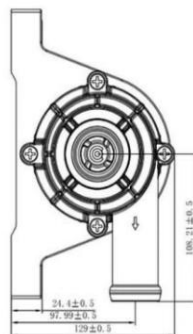
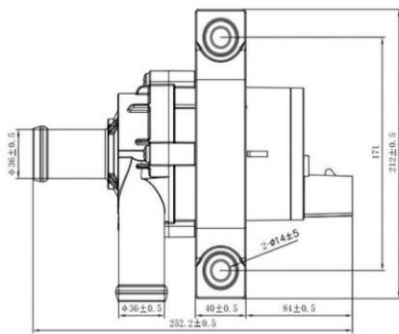
Ambient Temperature	-40~100°C
Medium Temperature	-40~100°C
Ambient Humidity	Submersible
Medium	Water/Glycol
Waterproof Class	IP68
Insulation	F (155°C)
Weight	295g ± 10

APPLICATION

- Smart toilet
- Water heater
- Liquid transfer
- Electric Vehicle
- Ice Maker
- Water Dispenser
- Aquarium
- Motorcycle
- Heating system
- Computer Cooling
- LED cooling
- Gas boiler
- HVAC system
- General purpose pumping
- Boosting application
- Home circulating system



DIMENSION & CURVE



Visit our site for more details: www.thermopumpfactory.com

For more further info, please mail to richel@auto-thermo.com